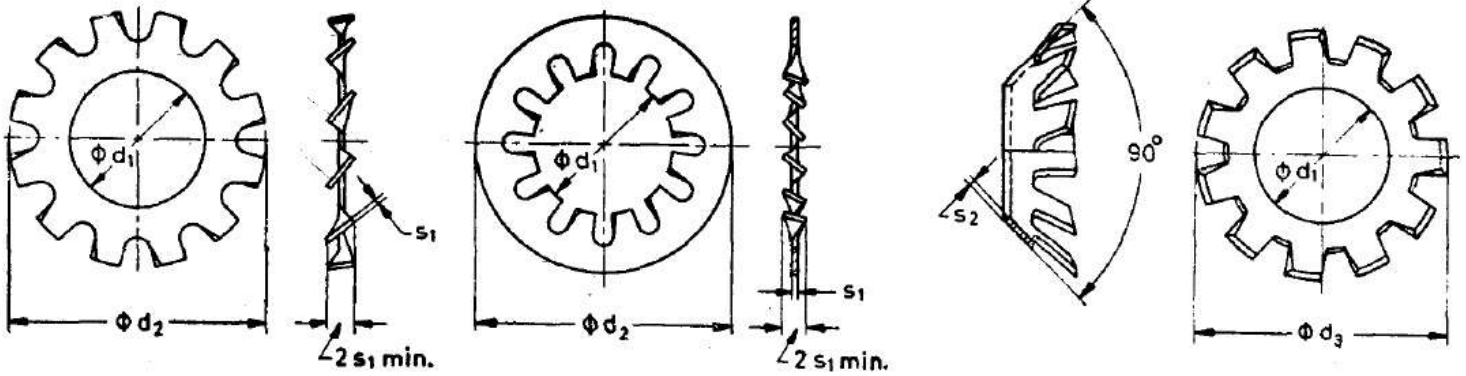


**DIMENSIONS AND TOLERANCES FOR MULTI-TOOTH LOCK WASHERS**

All dimensions in millimetres.



**TYPE A** EXTERNALLY TOOTHED

**TYPE B** INTERNALLY TOOTHED

**TYPE C** COUNTERSUNK

Nominal Size $d_1$ H13	$d_2$ h14	$d_3$ ≈	$s_1$	$s_2$	Number of Teeth Min		Suitable Screw Size
					Types		
					A and B	C	
1.7	3.6	—	0.3	—	6	—	M1.6
(1.9)	4	—	0.3	—	6	—	M1.8
2.2	4.5	4.2	0.3	0.2	6	6	M2
2.7	5.5	5.1	0.4	0.2	6	6	M2.5
3.2	6	6	0.4	0.2	6	6	M3
(3.7)	7	7	0.5	0.25	6	6	M3.5
4.3	8	8	0.5	0.25	8	8	M4
5.1*	9	—	0.5	—	8	—	M5
5.3	10	9.8	0.6	0.3	8	8	M5
6.4	11	11.8	0.7	0.4	8	10	M6
(7.4)	12.5	—	0.8	—	8	—	M7
8.2*	14	—	0.8	—	8	—	M8
8.4	15	15.3	0.8	0.4	8	10	M8
10.5	18	19	0.9	0.5	9	10	M10
12.5	20.5	23	1	0.5	10	10	M12
(14.5)	24	26.2	1	0.6	10	12	M14
16.5	26	30.2	1.2	0.6	12	12	M16
(19)	30	—	1.4	—	12	—	M18
21	33	—	1.4	—	12	—	M20
(23)	36	—	1.5	—	14	—	M22
25	38	—	1.5	—	14	—	M24
(28)	44	—	1.6	—	14	—	M27
31	48	—	1.6	—	14	—	M30

**Note** — Sizes shown within the brackets are non-preferred.  
\*Only for hexagon head bolts.