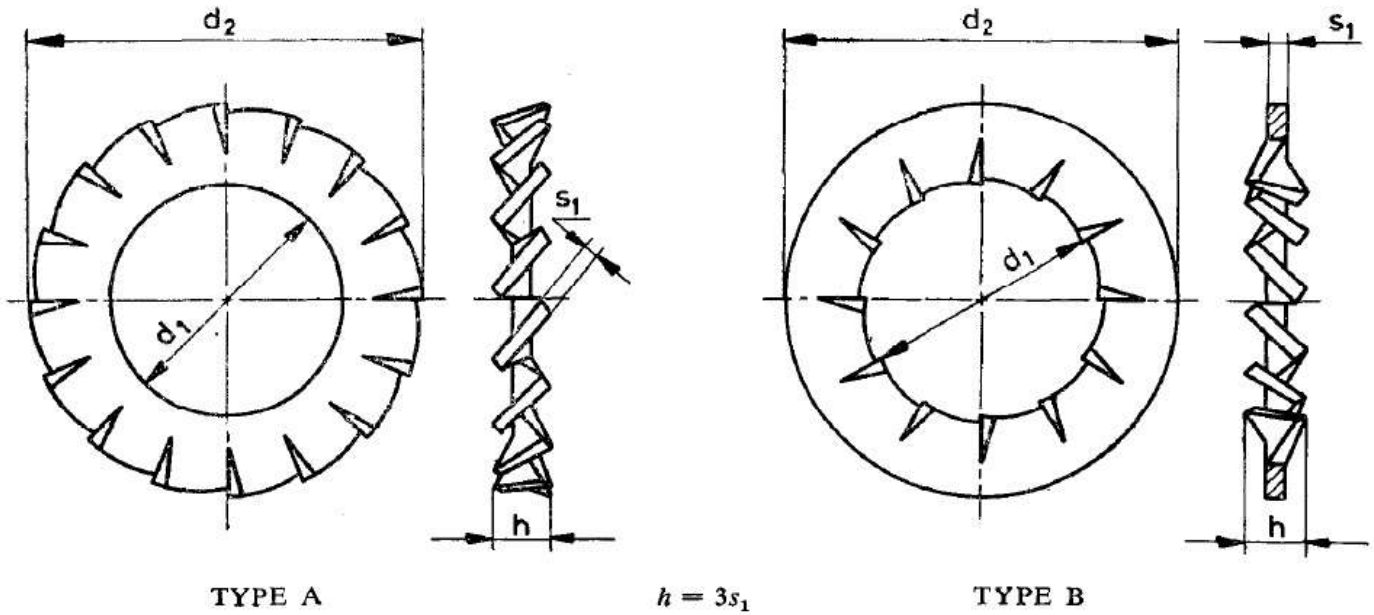


## Dimensions for Serrated Lock Washers — Types A and B

All dimensions in millimetres.



Nominal Size	$d_1$	$d_2$	$s_1$	Number of Teeth, <i>Min</i>		For Screw Thread Size
	H13	h14	*	Type A	Type B	
1.6	1.8	3.6	0.3	9	7	1.6
2	2.4	4.5	0.3	9	7	2
2.5	2.9	5.5	0.4	9	7	2.5
3	3.4	6	0.4	9	7	3
3.5	3.9	7	0.5	10	8	3.5
4	4.5	8	0.5	11	8	4
5	5.5	10	0.6	11	8	5
6	6.6	11	0.7	12	9	6
7	7.7	12.5	0.8	14	10	7
8	9	15	0.8	14	10	8
10	11	18	0.9	16	12	10
12	13.5	20.5	1	16	12	12
14	15.5	24	1	18	14	14
16	17.5	26	1.2	18	14	16
18	20	30	1.4	18	14	18
20	22	33	1.4	20	16	20
22	24	36	1.5	20	16	22
24	27	38	1.5	20	16	24
27	30	44	1.6	22	18	27
30	33	48	1.6	22	18	30